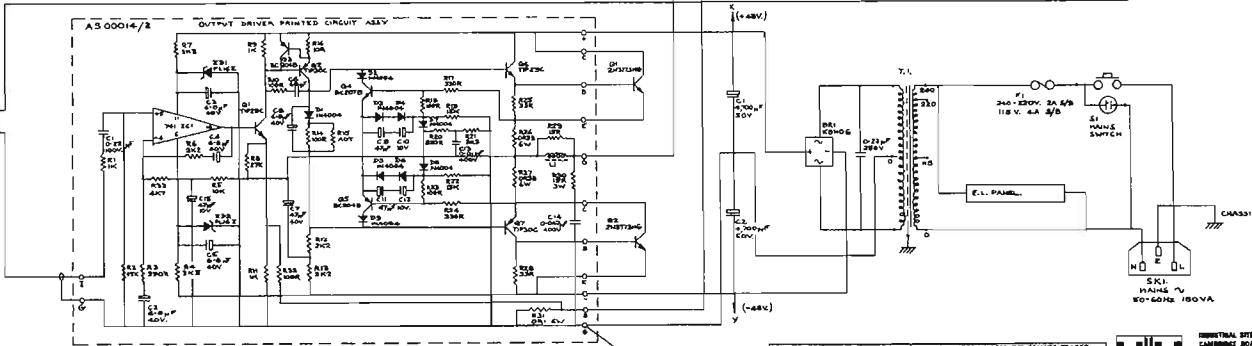
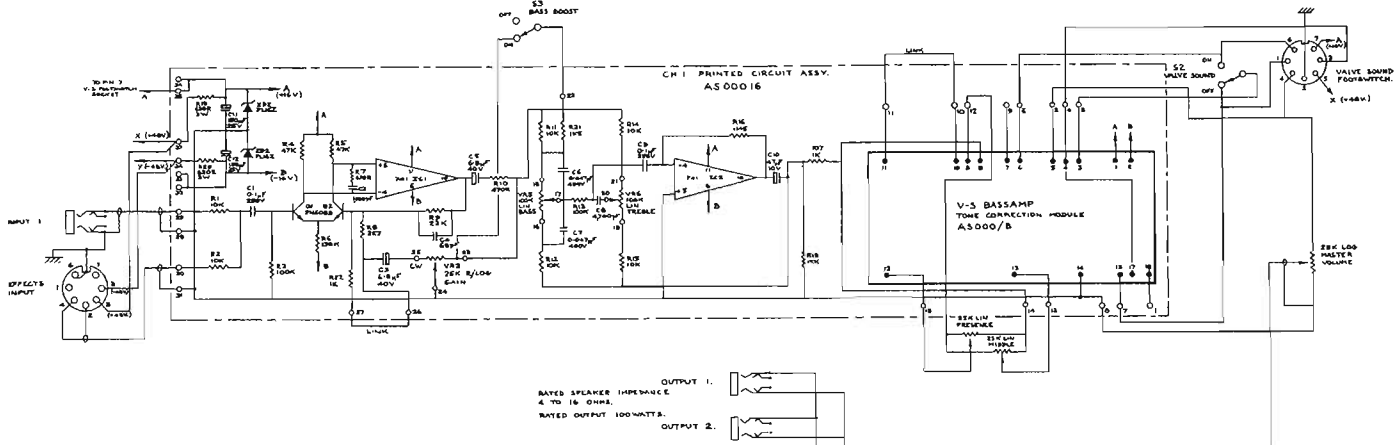


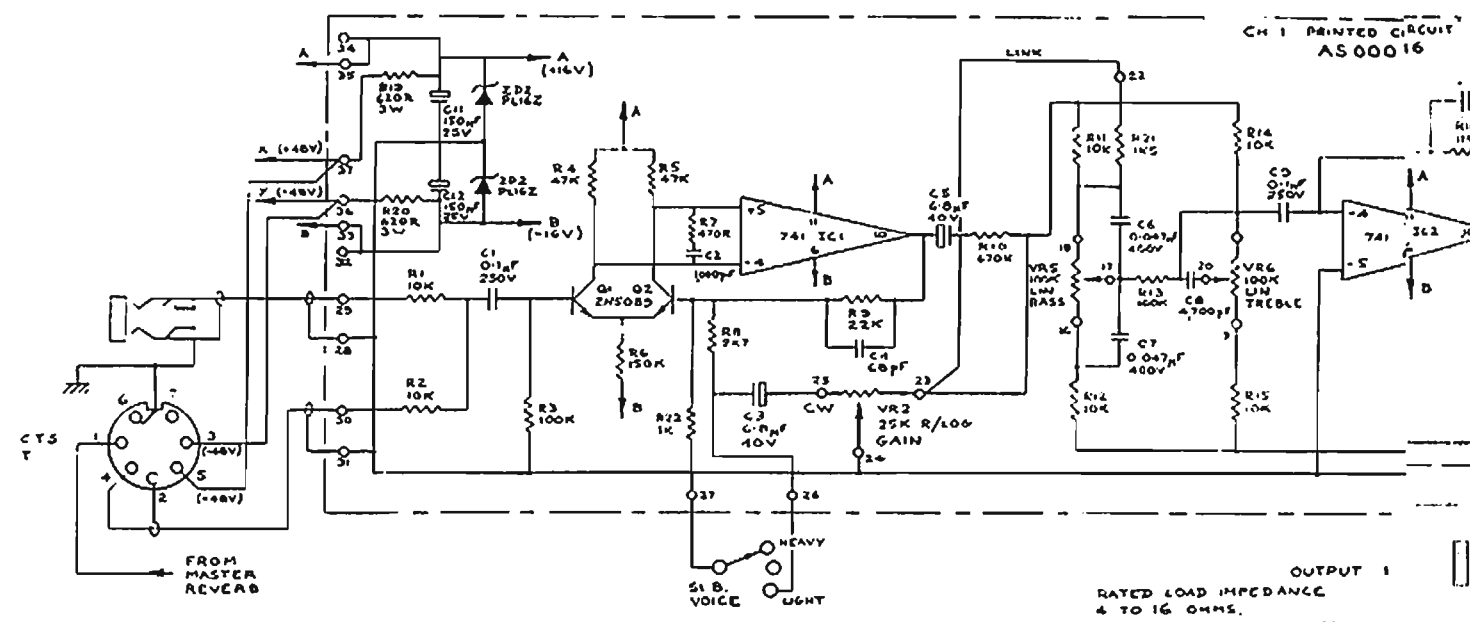
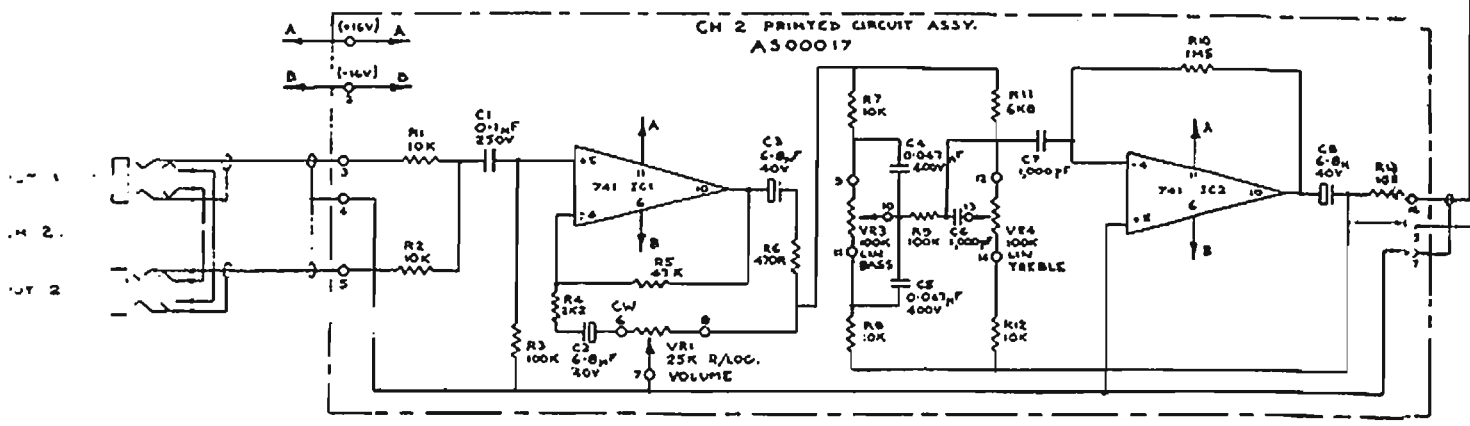
FIG. No. C1AC0001B  
 USED ON V-5 BASSAMP  
 CAT. No. V-5 BASSAMP  
 THIS DRAWING IS THE PROPERTY OF HHI ELECTRONIC AND MUST NOT BE COPIED OR DISCLOSED TO A THIRD PARTY WITHOUT THE WRITTEN CONSENT OF HHI ELECTRONIC.



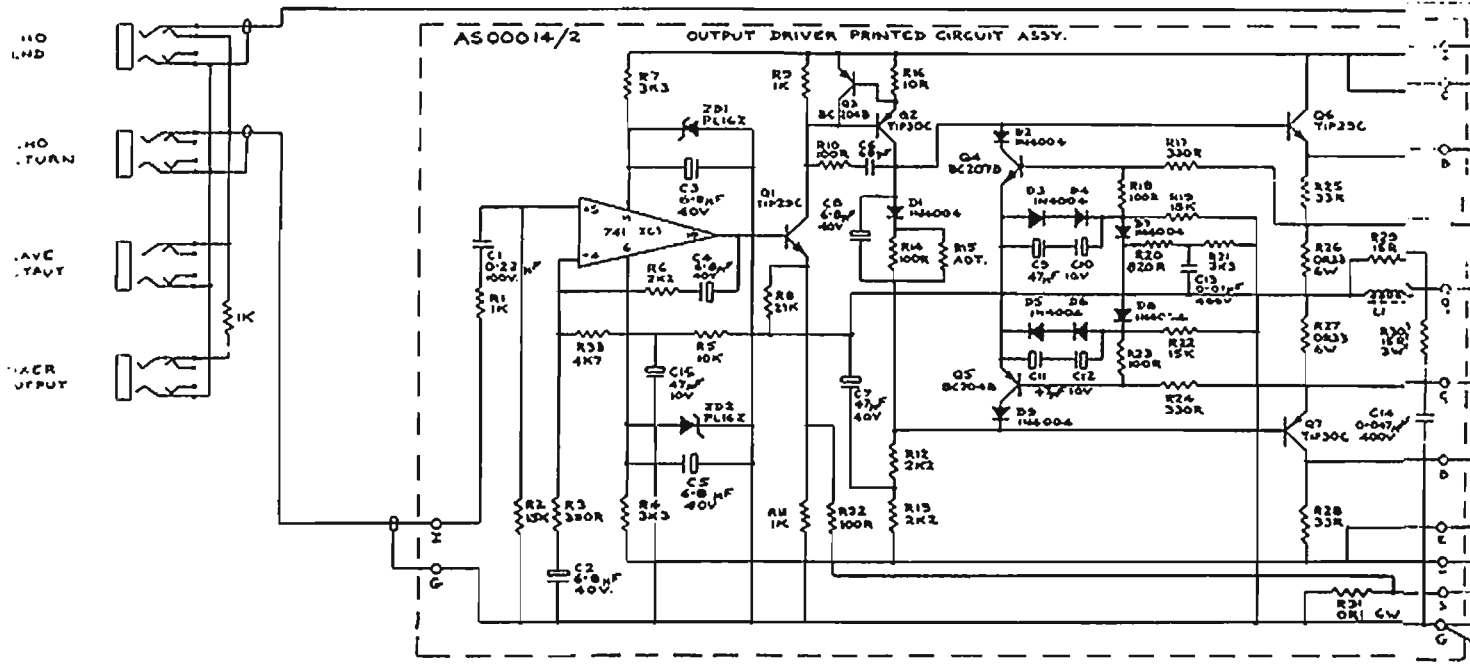
REV	1	2	3	4	5	6	7	8	9	10	11	12	13	14	15	16	17	18	19	20	21	22	23	24	25	26	
DATE	70-1-74	7-4-74	25-6-74	25-6-74	25-6-74	25-6-74	25-6-74	25-6-74	25-6-74	25-6-74	25-6-74	25-6-74	25-6-74	25-6-74	25-6-74	25-6-74	25-6-74	25-6-74	25-6-74	25-6-74	25-6-74	25-6-74	25-6-74	25-6-74	25-6-74	25-6-74	25-6-74
DESCRIPTION OF CHANGE			REVISED	REVISED	REVISED	REVISED	REVISED	REVISED	REVISED	REVISED	REVISED	REVISED	REVISED	REVISED	REVISED	REVISED	REVISED	REVISED	REVISED	REVISED	REVISED	REVISED	REVISED	REVISED	REVISED	REVISED	REVISED

APPROVED	SCALE CONFORMS TO BS308	TOLERANCES UNLESS OTHERWISE STATED	<table border="1"> <tr> <td>LINEAR</td> <td>ANGLES</td> <td>HOLE Ø</td> </tr> </table>	LINEAR	ANGLES	HOLE Ø		INDUSTRIAL SITE CAMBRIDGE ROAD, WATER CAMBRIDGE CB4 4JZ ENGLAND. TEL: CAMBRIDGE 66640/67
LINEAR	ANGLES	HOLE Ø						
CHECKED	DIMENSIONS IN PROJECTION 3RD ANGLE	MATERIAL	FINISH					
DRAWN	DIMENSIONS APPLY AFTER PLATING	TITLE	V-5 BASSAMP CIRCUIT DIAGRAM	DRG. No. C1AC0001B				

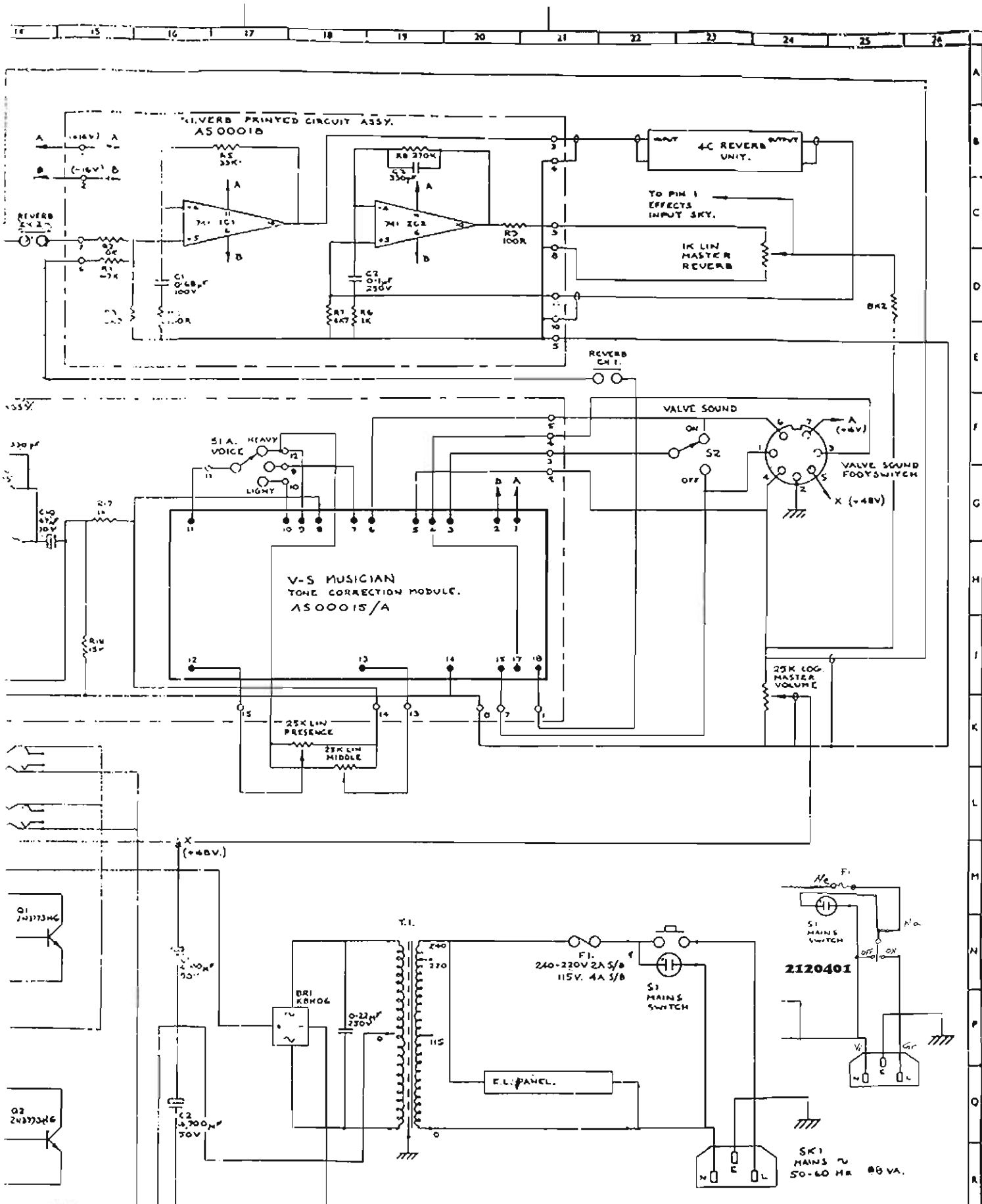
2	3	4	5	6	7	8	9	10	11	12
USED ON	CAT. No.	THIS DRAWING IS THE PROPERTY OF HIH ELECTRONIC AND MUST NOT BE COPIED OR DISCLOSED TO A THIRD PARTY WITHOUT THE WRITTEN CONSENT OF HIH ELECTRONIC.								



OUTPUT 1  
 RATED LOAD IMPEDANCE  
 4 TO 16 OHMS.  
 RATED OUTPUT 100 WATTS.  
 OUTPUT 2



1	2	3	4
1-76	7-4-76	22-4-76	6-6-76
	AS00014/2	AS00014/2	AS00014/2
	R1 to 300K	R1 to 47K	VR1 to 100K



APPROVED	SCALE	CONFORMS TO BS308	TOLERANCES UNLESS OTHERWISE STATED		
			LINEAR	ANGLES	HOLES Ø
CHECKED	DIMENSIONS IN		MATERIAL		
	PROJECTION 3RD ANGLE				
DRAWN	DIMENSIONS APPLY AFTER PLATING		TITLE		
			VS MUSICIAN (REVERB) CIRCUIT DIAGRAM		

**HH**  
Electronics

INDUSTRIAL SITE  
CAMBRIDGE ROAD, MILTON  
CAMBRIDGE CB4 4AZ  
ENGLAND  
TEL: CAMBRIDGE 85464/7

FINISH

DWG. No.  
**C/AC0001**