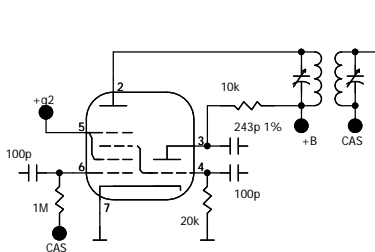
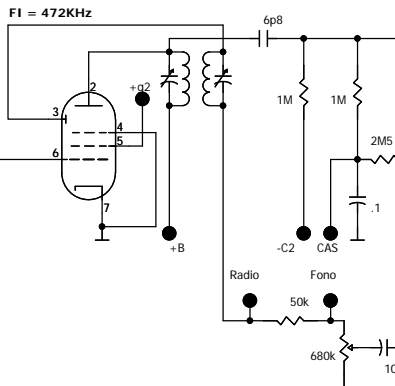


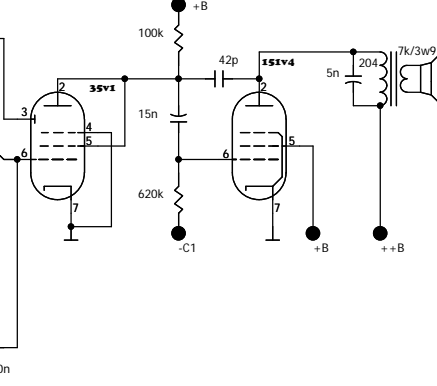
VC-UCH42(314)4
Itot = 11ma5



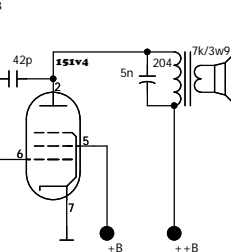
VP-UAF42(216-232)4 T
Itot = 1ma2



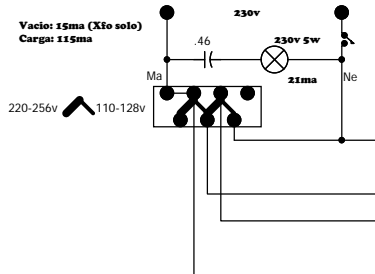
VP-UAF42(216-232)4 T
Itot = 1ma2



VS-UL41(288)4
170v/63ma



Vacio: 15ma (Xfo solo)
Carga: 115ma



- : Implica Cambio

