

I: 13.5 - 46 m

II: 46 - 160 m

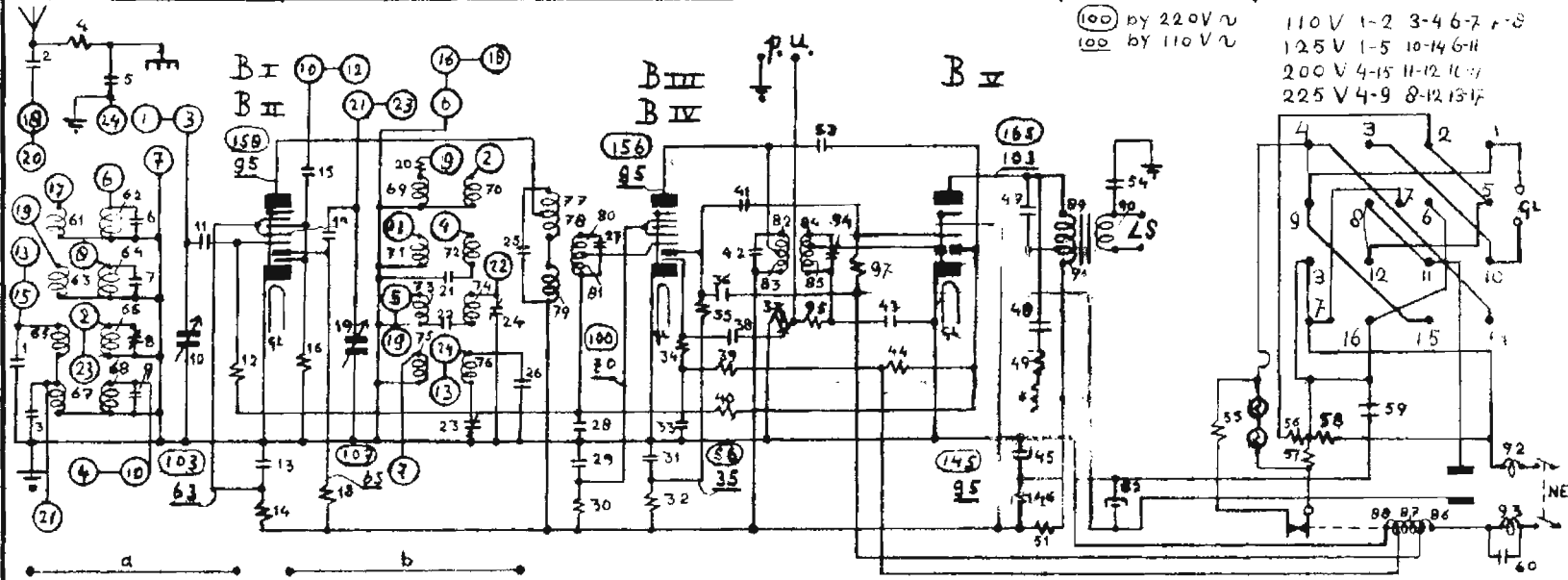
III: 160 - 585 m

IV: 700 - 2000 m

M.F.: 452 KC/s

(100) by 220V ~
(100) by 110V ~

110 V 1-2 3-4 6-7 7-8
125 V 1-5 10-14 6-11
200 V 4-15 11-12 10-17
225 V 4-9 8-12 13-17



1 47 pF	16 47000 Ω	31 0.18 mF	46 50 mF	61 L 2 Ω	76 L 14 Ω	91 L 22 Ω	106
2 1000 pF	17 470 pF	32 50000 Ω	47 4700 pF	62 L <1 Ω	77 L 3.5 Ω	92 L 4 Ω	107
3 22 pF	18 15000 Ω	33 47000 pF	48 0.1 mF	63 L 6.5 Ω	78 L 4 Ω	93 L 4 Ω	108
4 0.1 M Ω	19 0-490 pF	34 0.82 M Ω	49 100 Ω	64 L 2 Ω	79 L <1 Ω	94 103 pF	109
5 4700 pF	20 39 Ω	35 0.1 M Ω	50 50000 Ω	65 L 32 Ω	80 L 3.5 Ω	95 47000 Ω	110
6 4 pF	21 1200 pF	36 2200 pF	51 1200 Ω	66 L 6.5 Ω	81 L 4 Ω	96 LSP 5 Ω	111
7 1.6 pF	22 450 pF	37 0.5 M Ω	52 50 mF	67 L 169 Ω	82 L 3.5 Ω	97 0.68 M Ω	112
8 32 pF	23 200 pF	38 22000 pF	53 3.3 pF	68 L 40 Ω	83 L 4 Ω	98	113
9 18 pF	24 32 pF	39 1.5 M Ω	54 4700 pF	69 L <1 Ω	84 L 3.5 Ω	99	114
10 0-490 pF	25 103 pF	40 1.5 M Ω	55 330 Ω	70 L <1 Ω	85 L 4 Ω	100	115
11 100 pF	26 39 pF	41 10000 pF	56 180 Ω	71 L <1.2 Ω	86 L	101	116
12 0.47 M Ω	27 103 pF	42 103 pF	57 125 Ω	72 L <1 Ω	87 L RELAYS	102	117
13 47000 pF	28 47000 pF	43 82 pF	58 39 Ω	73 L 1.5 Ω	88 L 100 Ω	103	118
14 15000 Ω	29 47000 pF	44 0.82 M Ω	59 22000 pF	74 L 6 Ω	89 L 325 Ω	104	119
15 150 pF	30 22000 Ω	45 100 mF	60 220 pF	75 L 3.5 Ω	90 L <1 Ω	105	120

	B	Type	G ₁	G ₂	G ₃₊₅	G ₄	A
I	UCH21			3.8 2.4			2.2 1.3 2.1 2.0
II							4.1 2.1
III	UCH21			4.1 2.1			2.1 0.9 0.3 4.8 J.P.
IV							
V	UBL21			7.7 4.7			
VI							
VII							
VIII							
IX							
X							

MERK: PHILIPS
TYPE: 657-768 U
Scan: The World of Wireless