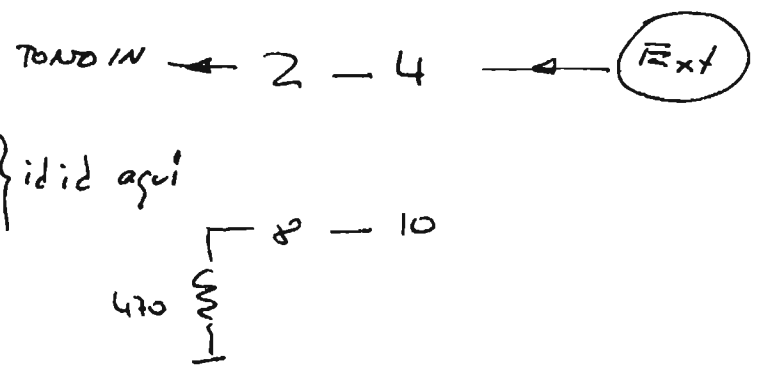
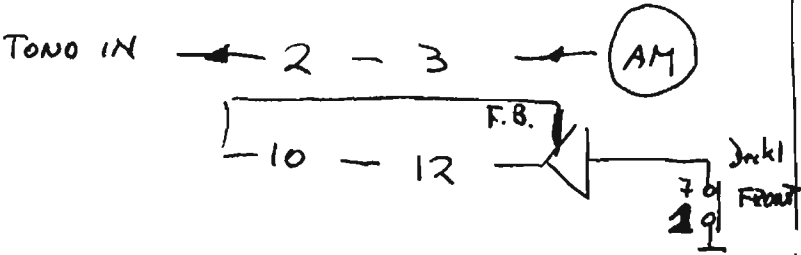
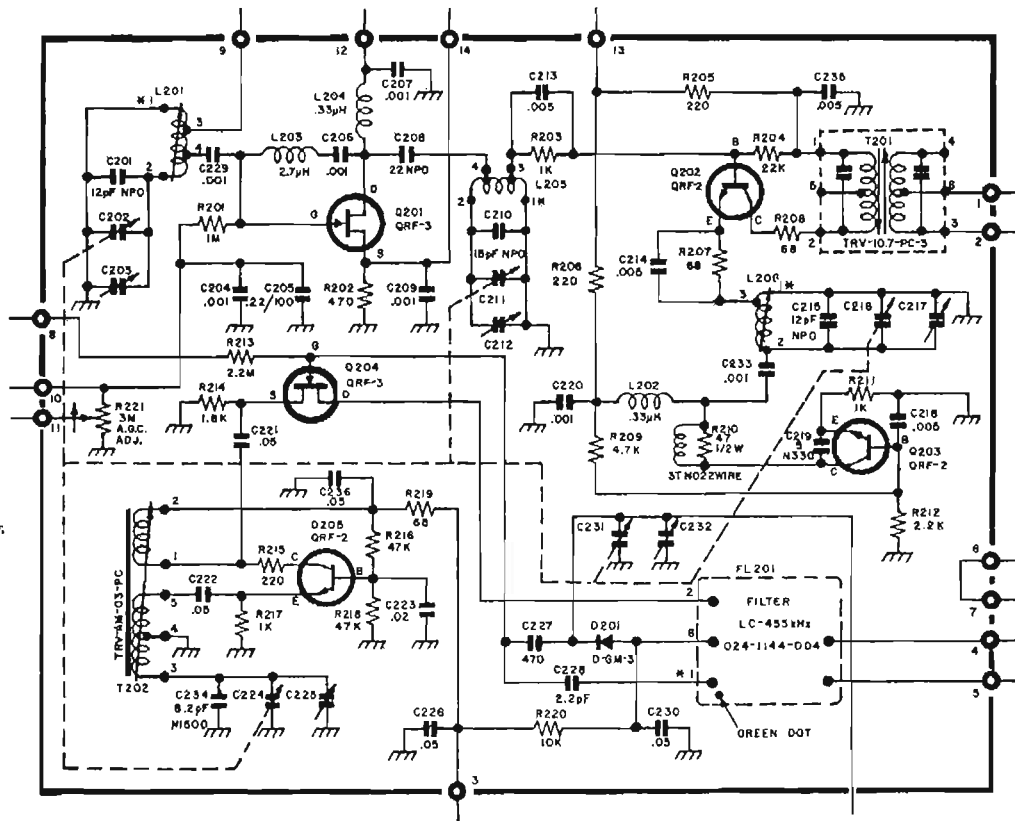


* Desajustis para FM?



idid aqui



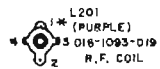
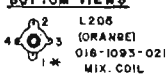
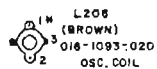
HIGHEST SERIES NUMBERS	
L208	C236
R221	T202
D201	Q205
	FL201

NOTES:
 1. UNLESS OTHERWISE SPECIFIED, RESISTANCE IN OHMS $\pm 10\%$. RESISTORS 1/4 WATT. CAPACITANCE IN MFD'S.
 2. * INDICATES START OF COIL WINDING.

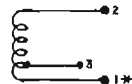
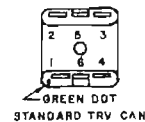
AM/FM FRONT END Z-PC-AM/FM-13

REV. 0

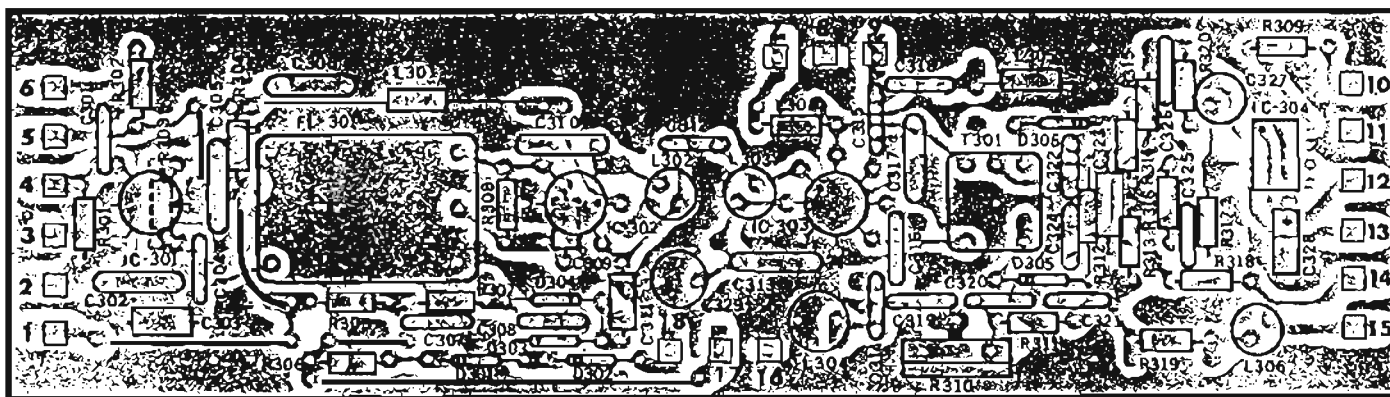
BOTTOM VIEWS



BOTTOM VIEW

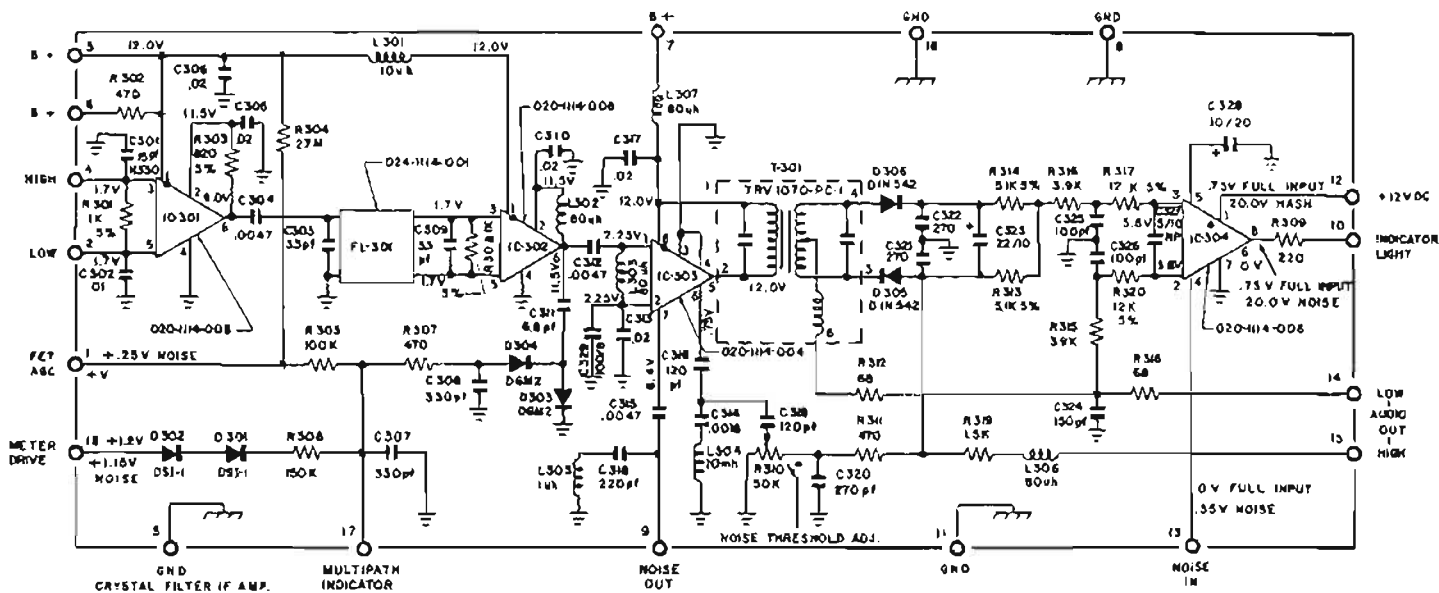


- 1C-301 μ A703 020-1114-001
- 1C-302 μ A703 020-1114-001
- 1C-303 μ A719 020-1114-004
- 1C-304 (SC5117) 020-1114-006
- FL-301 024-1144-001



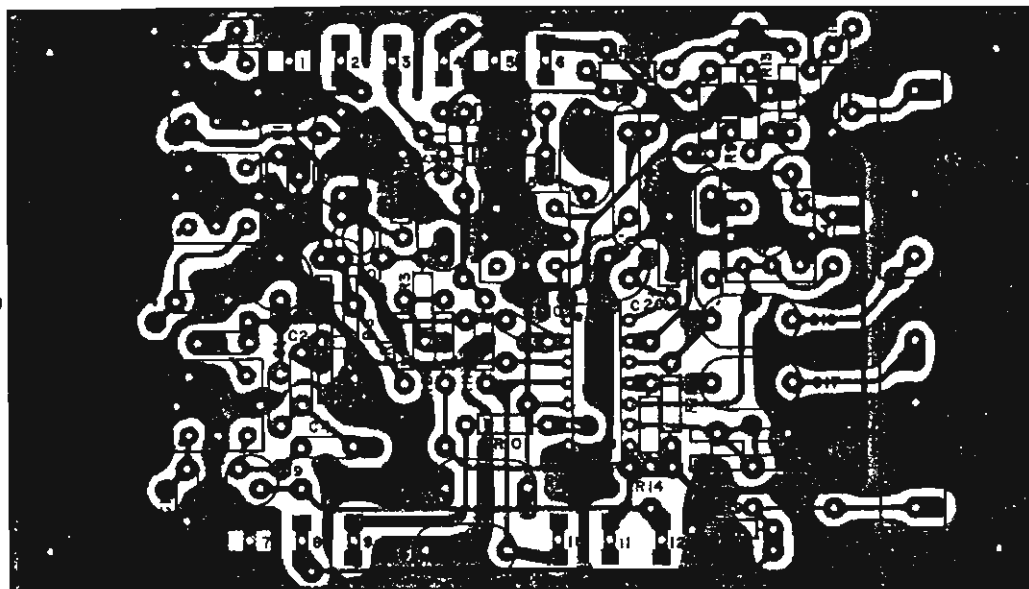
CRYSTAL FILTER IF AMP.

NOTE:
 * INDICATES PIN # 1



PC BOARD 019-1107-061

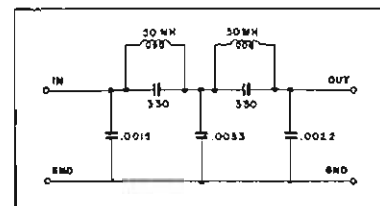
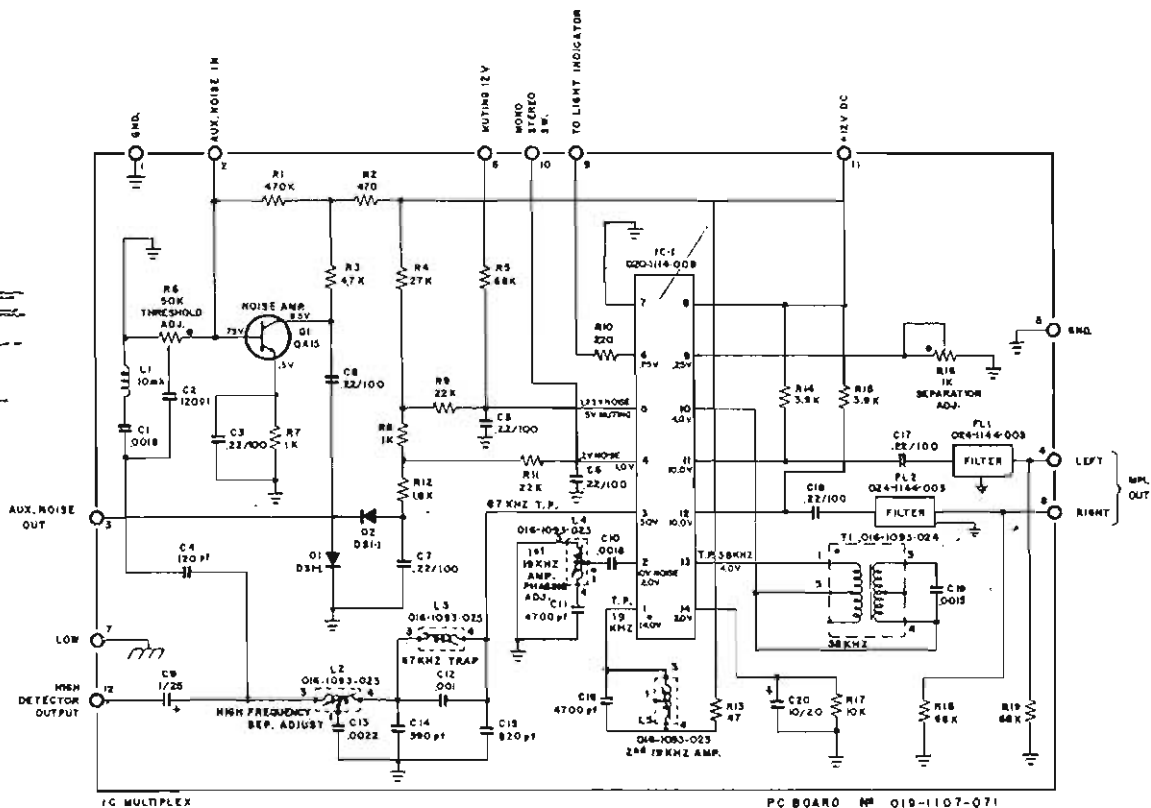
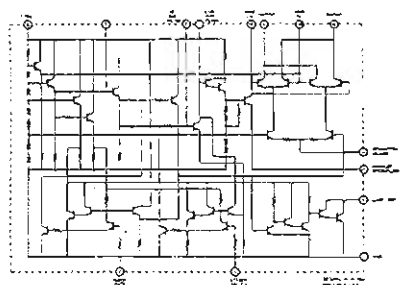
- NOTES:
- 1 UNLESS OTHERWISE SPECIFIED, RESISTANCE IN OHMS \pm 10% 1/4 WATT, AND CAPACITANCE IN PFD'S
 - 2 HIGHEST SERIES IC 304, FL301, T301, L307, C320, R320, D308
 - 3 DOT ON POTENTIOMETER INDICATES EXTREME CW POSITION VIEWED FROM KNOB END.



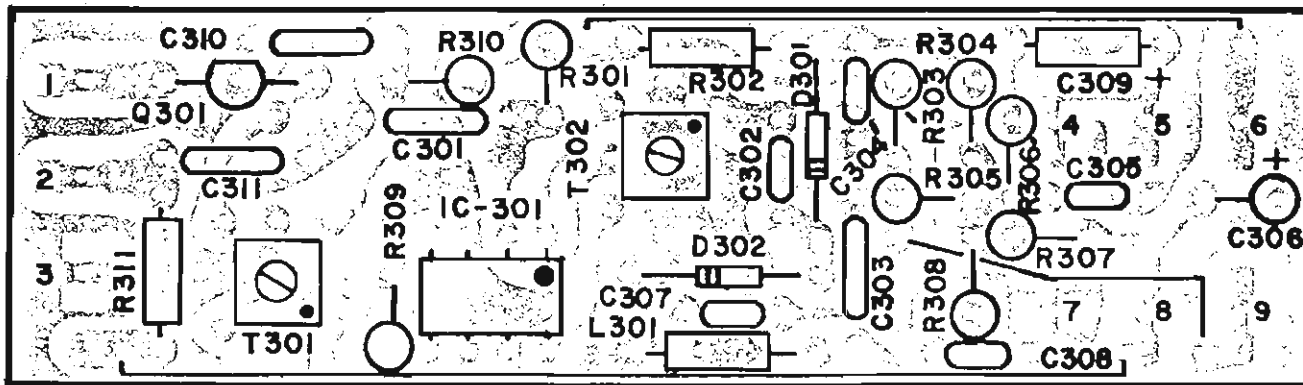
IC MULTIPLEX

NOTES:

1. CIRCLE MARK ON TOP OR INDENTATION ON LEG OF IC INDICATES PIN NO.1
2. GREEN DOT ON TOP OF TRANSFORMER OR COIL CAN INDICATES PIN NO.1

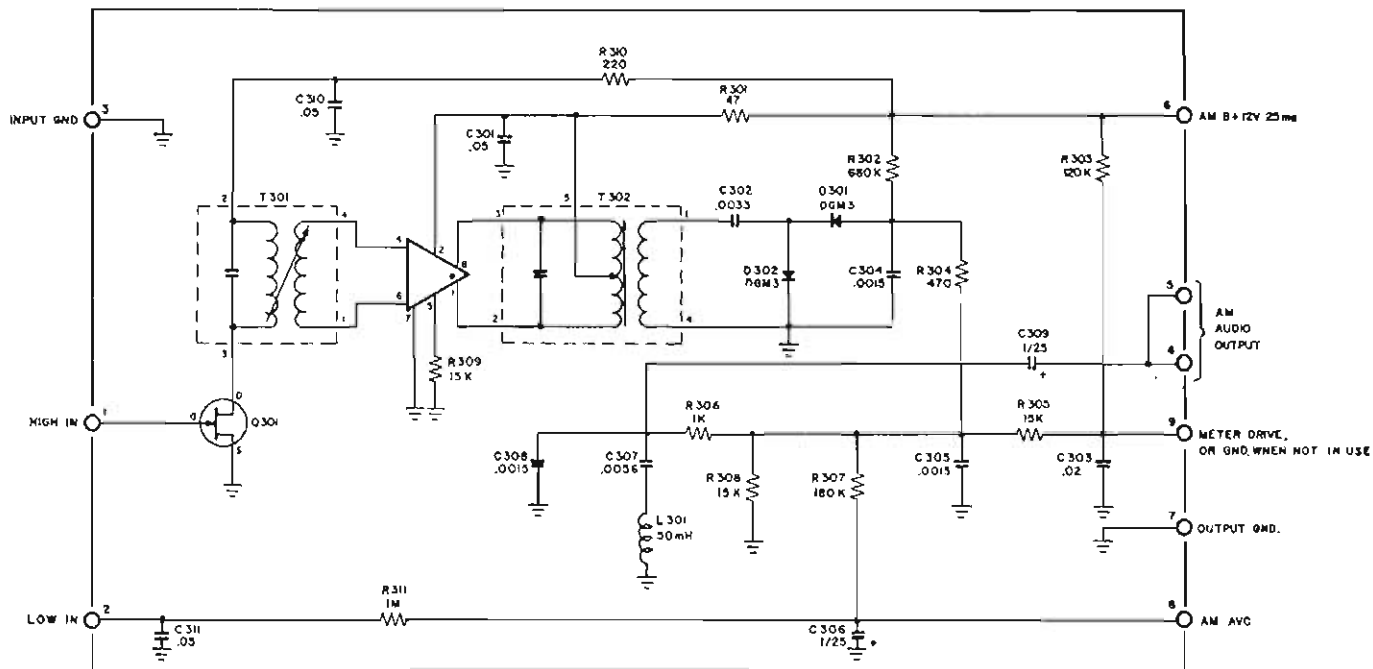


CIRCUIT DIAGRAM

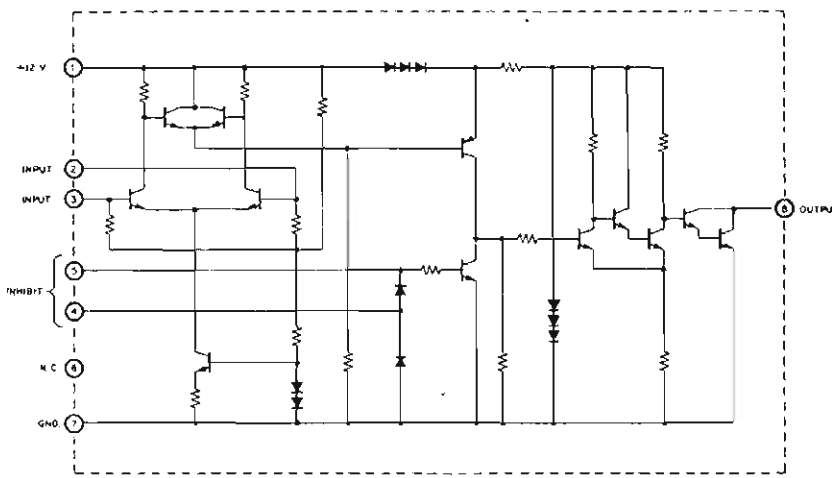


AM IF

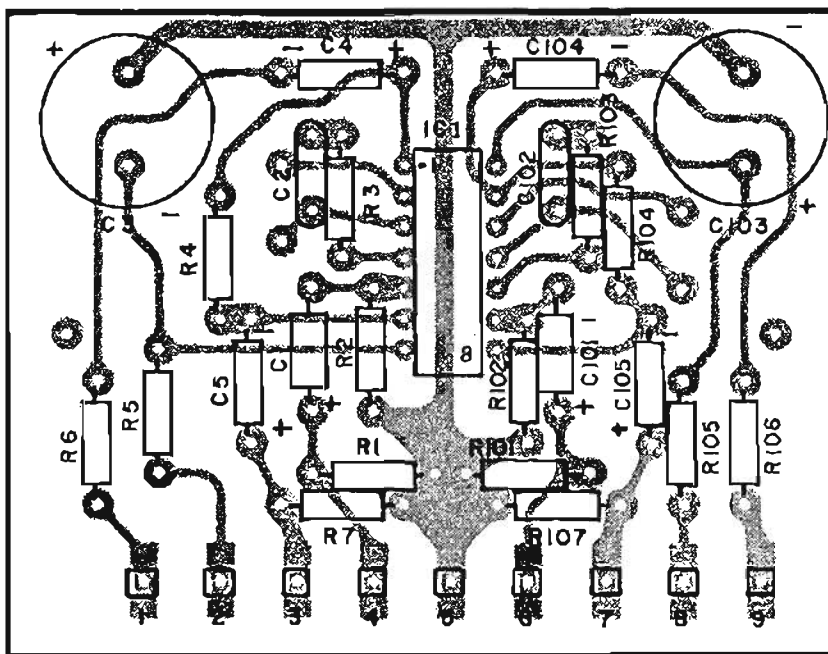
019-1107-076



- NOTES:
1. UNLESS OTHERWISE SPECIFIED, RESISTANCE IN OHMS 10% 1/4 WATT, AND CAPACITANCE IN MFD'S
 2. IC 301 IS 020-1114-010, T301 AND T302 ARE 016-1093-024, Q301 IS 020-1112-008
 3. HIGHEST SERIES NUMBERS, C311, R311, L301, IC 301, T302, Q301, D302.

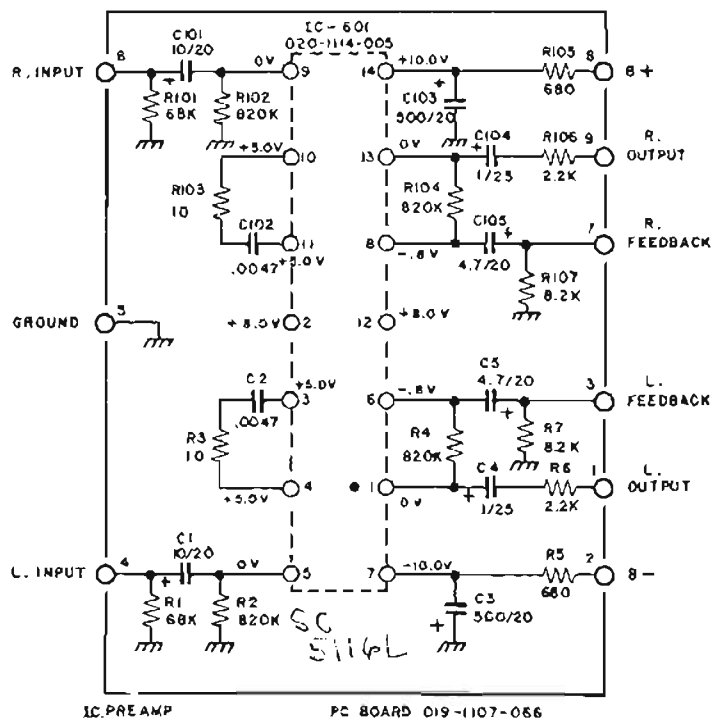
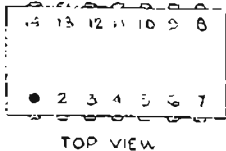
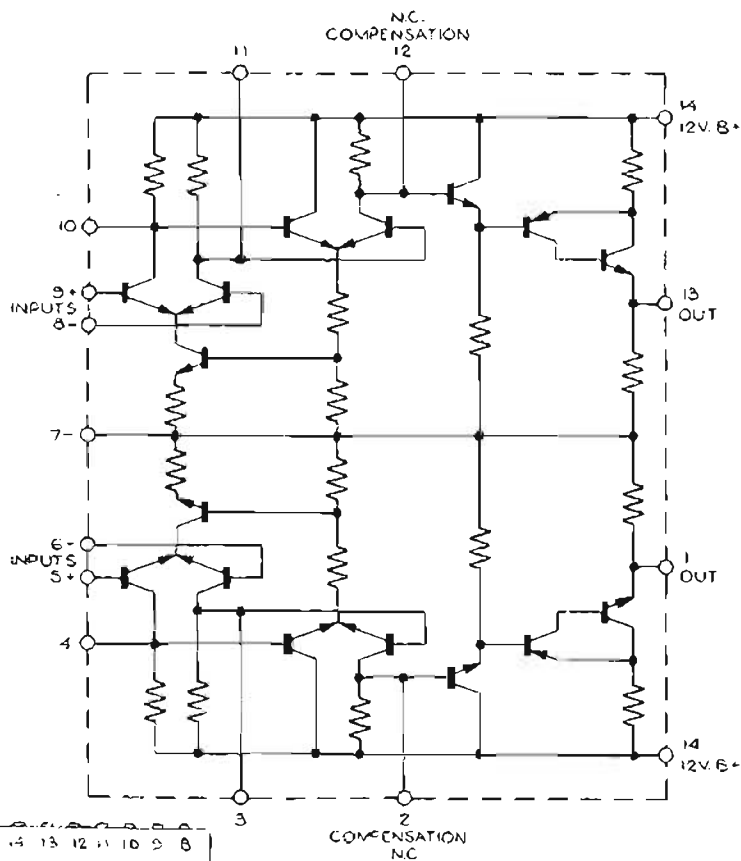






PRE AMP

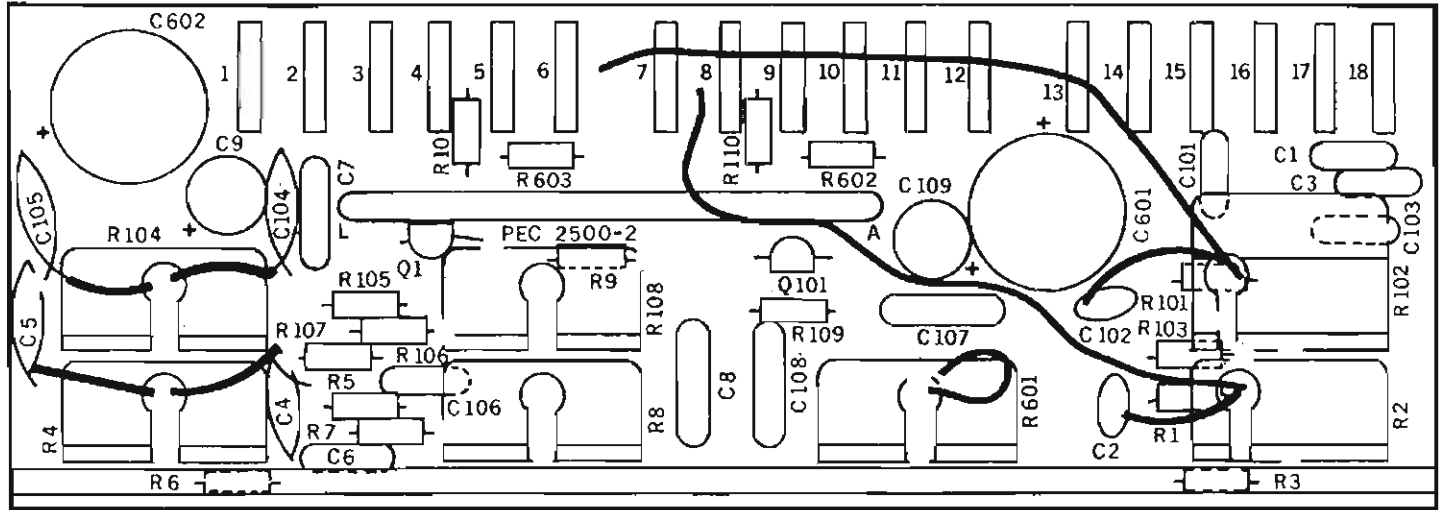
NOTE: 1. CIRCLE MARK ON TOP OR INDENTATION ON LEG OF IC INDICATES PIN NO.1



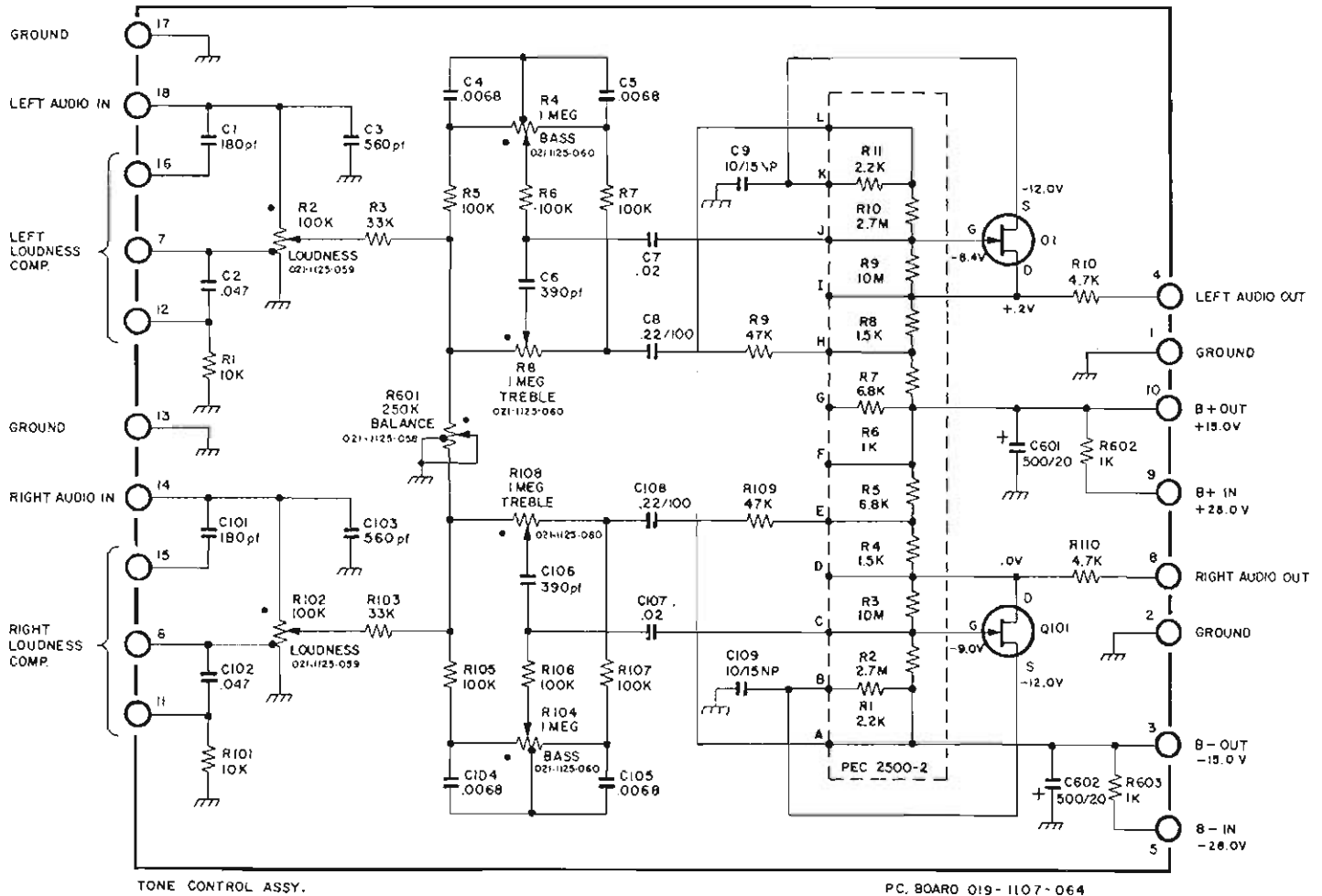
NOTES:

1. UNLESS OTHERWISE SPECIFIED, ALL RESISTANCE IN OHMS, $\pm 10\%$, 1/4 WATT, CAPACITANCE IN MICROFARADS.
2. HIGHEST SERIES NUMBERS ARE: R7, R107, C5, C105, IC-601.
3. CIRCLE MARK ON TOP OR INDENTATION ON LEG OF IC INDICATES PIN NO.1.

Q1, Q101, 020-1112-005



TONE CONTROL & LOUDNESS



TONE CONTROL ASSY.

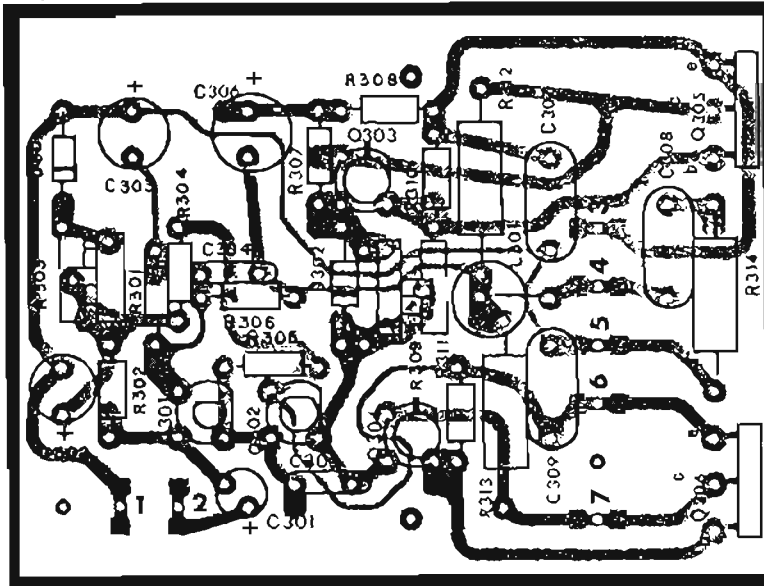
P.C. BOARD 019-1107-064

6. DOT ON POTENTIOMETER INDICATES EXTREME CW POSITION VIEWED FROM KNOB END

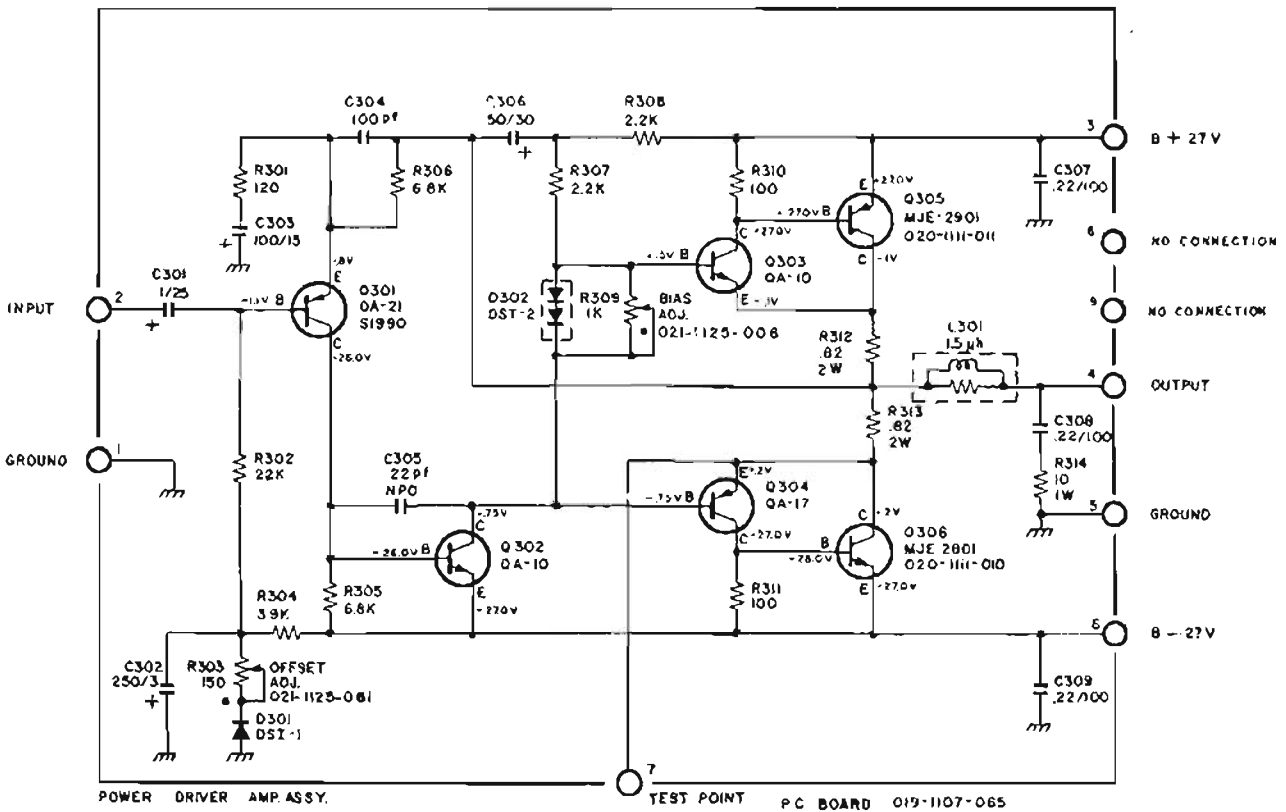
NOTES:

1. UNLESS OTHERWISE SPECIFIED: RESISTANCE IN OHMS $\pm 10\%$ 1/4 WATT, AND CAPACITANCE IN MFD'S.
2. Q1, Q101 ARE H.H. SCOTT 020-1112-005.
3. HIGHEST SERIES NO'S ARE: R10, R110, R603, C9, C109, C602, Q1, Q101.
4. WHEN TONE CONTROLS ARE IN FLAT POSITION, THE OVERALL VOLTAGE GAIN OF THIS CIRCUIT IS APPROXIMATELY UNITY. (0dB)
5. THE FOLLOWING CONTROLS IN THE LEFT CHANNEL ARE MECHANICALLY CLUTCHED WITH IDENTICAL CONTROLS IN THE RIGHT CHANNEL, LOUDNESS, BALANCE, TREBLE, BASS.

Q301 ; 51990
 Q302 ; QA-10
 Q303 ; QA-10
 Q304 ; QA-17
 Q305 ; 2801 - 020-1111-010
 Q306 ; 2901 - 020-1111-011



POWER AMP. DRIVER



NOTES:

1. UNLESS OTHERWISE SPECIFIED-ALL RESISTANCE IN OHMS, ±10%, 1/4 WATT, CAPACITANCE IN MFD'S.
2. HIGHEST SERIES NUMBERS ARE: R314, C309, D302, Q306, L301
3. DOT ON POTENTIOMETER INDICATES EXTREME CW POSITION VIEWED FROM KNOB END.

